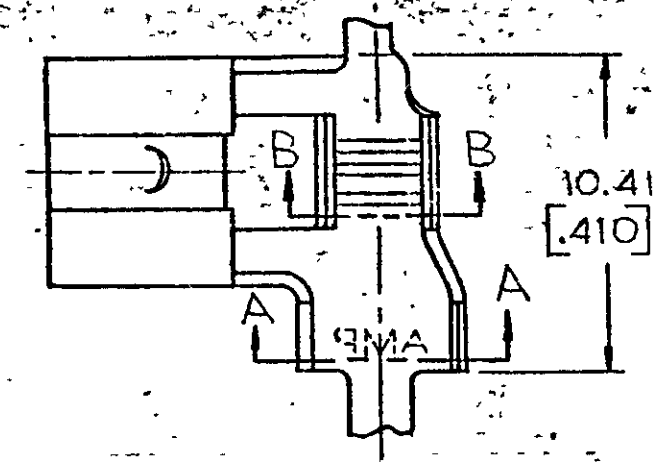
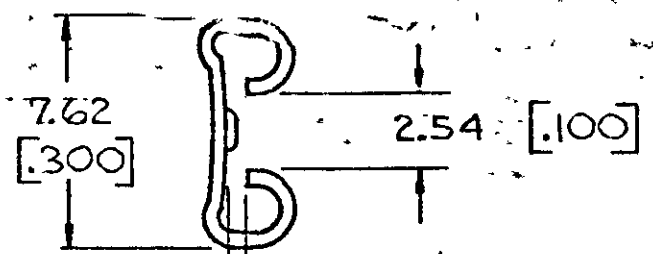


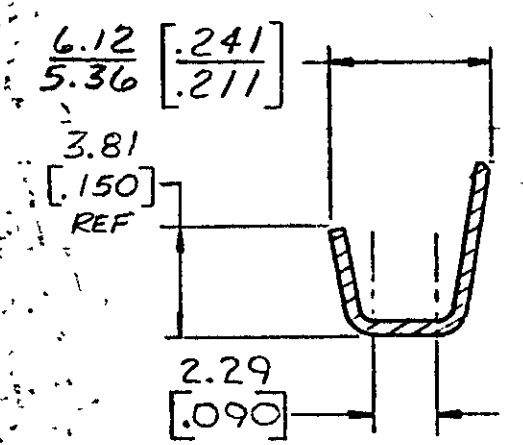
© COPYRIGHT 1980 BY AMP INCORPORATED, HARRISBURG, PA.
 ALL INTERNATIONAL RIGHTS RESERVED. AMP INCORPORATED PRODUCTS
 COVERED BY U. S. AND FOREIGN PATENTS AND/OR PATENTS PENDING.

UNPUBLISHED COPY NOT TO BE
 REPRODUCED OR PUBLISHED
 WITHOUT WRITTEN PERMISSION
 OF AMP INCORPORATED.

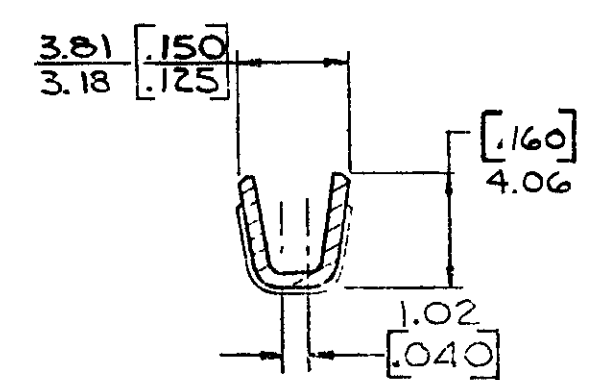
LOG AF		DIST 50			
REVISIONS					
NO.	ZONE	LTR	DESCRIPTION	DATE	APPROVED
1		H	REVISED PER AF-7106	1/24/91	JVC



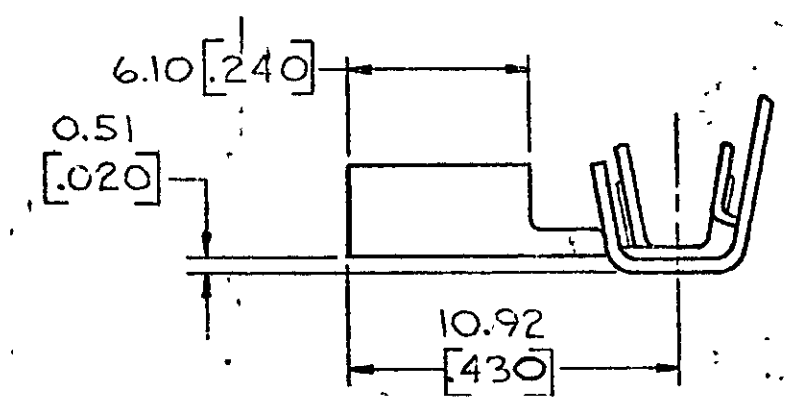
1. ALL DIMENSIONS IN
 BRACKETS ARE IN
 INCHES
 CONTINUOUS STRIP ON REELS



SECTION A-A



SECTION B-B



.110-.160	18-14	TIN	0.41 [0.016] THK BRASS	62811-2
.110-.160	18-14	NONE	0.41 [0.016] THK BRASS	62811-1
INSUL RANGE	WIRE RANGE	FINISH	MATERIAL	PART NO

METRIC

UNLESS OTHERWISE SPECIFIED DIMENSIONS ARE IN INCHES (M1) TOLERANCES ON: DECIMALS ±0.38 [0.015] ANGLES ±	CONTRACT NO	AMP INCORPORATED Harrisburg, Pa		
	CHK	NAME 250 SERIES PREMIER FLAG		
MATERIAL	APPD	FASTON RECEPTACLE		
SEE TABLE	APPD	SIZE	CODE IDENT NO	DRAWING NO
FINISH	DSGN APPD	B	00779	62811
SEE TABLE	OTHER APPD	SCALE 4-1	SHEET	